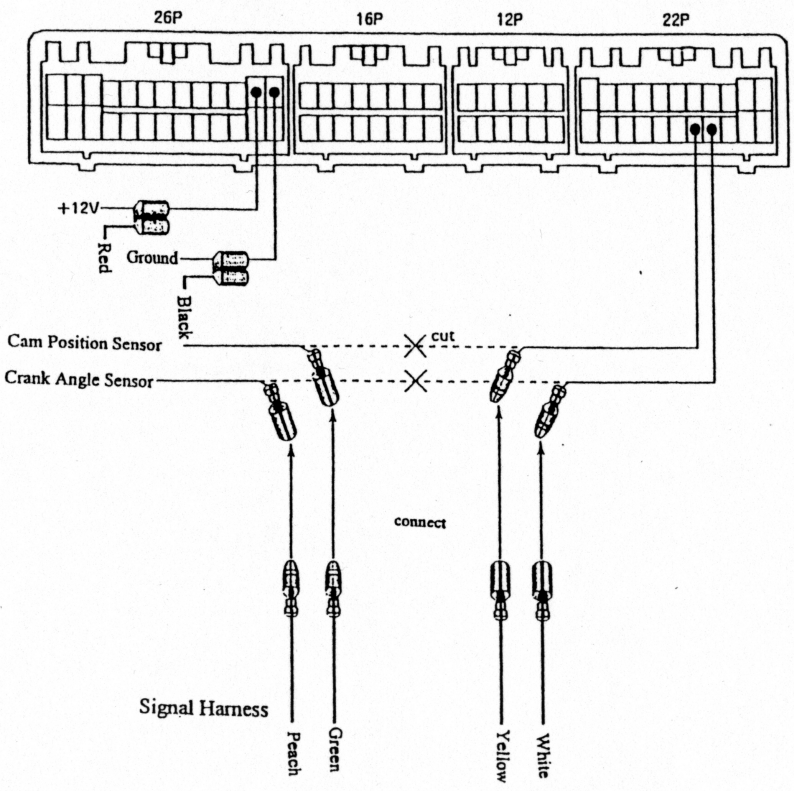


MITSUBISHI

Vehicle	Code	Engine Type	Year	ECU Location	Type Select SW	CarSelSW
Lancer EVO IV	CN9A	4G63	'96.8~	b	■ ■ ■ ■ ■ ■ ■ ■	D

* The No.1 dip-switch on the left side is to limit timing adjustments



MAZDA

Vehicle	Code	Engine Type	Year	ECU Location	Type Select SW	CarSelSW
RX-7	FD3S	13B-REW	'96.1~	a	■ ■ ■ ■ ■ ■ ■ ■	B

* The No.1 dip-switch on the left side is to limit timing adjustments

